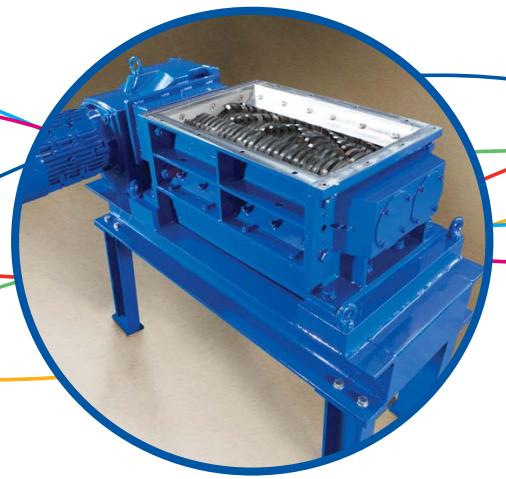


Series F Muncher®

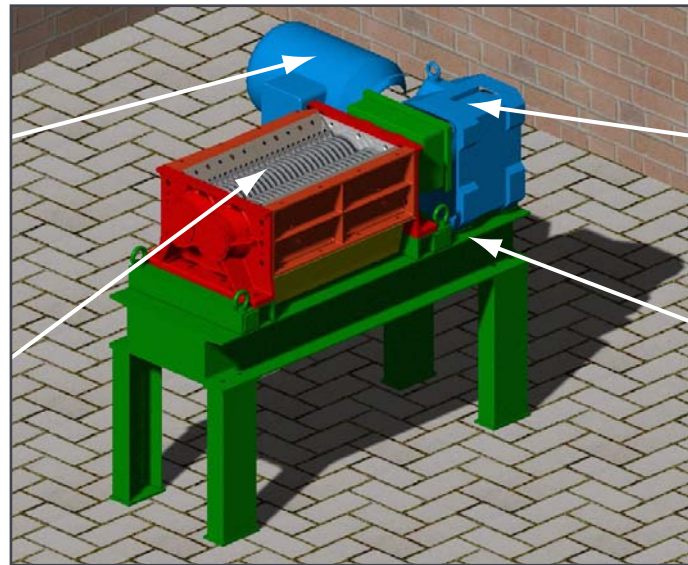
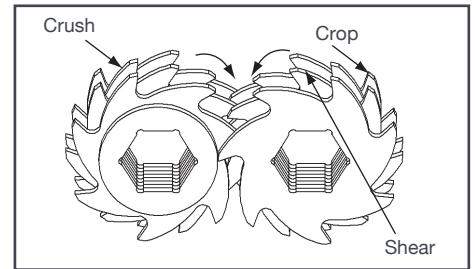


The Series F Muncher, a twin shaft, low speed, high torque grinder, remains one of the most effective solid grinders for bulk reduction, material reclamation and profit from waste. With installations throughout the world, the Muncher principle offers a powerful and energy efficient disintegrator for wet and dry material processing.

The Principle

Housed in a cutter chamber, two parallel shafts are fitted with intermeshing cutters and spacers. When objects become trapped in the slowly revolving cutter stacks, the differential speed crushes, crops and shears the material into small pieces.

Depending on the size of shred required, the cutters can be stacked in various arrangements to create a smaller or larger particle size, whilst handling bulky products. Comb bars are fitted as standard to stop material build up on the cutters and spacers and eliminate blockage. The unit can be supplied with a feed hopper or delivery chute to assist material entry and discharge.



The larger unit offers independent drives to transfer the power directly to each of the Muncher shafts.

The cutters and shafts give close tolerance clearances needed for effective size reduction.

Gearboxes and cutter chamber independently mounted - access to parts is much easier for maintenance.

Machine constructed for heavy duty applications.

Capacities

The Series F Muncher is available in 2 sizes:-

- 600mm throat with single drive (7.5kW)
- 1000mm throat with double drive (7.5kW and 5.5kW)

Material		Machine Size	
		600mm Throat	1000mm Throat
Sewage screenings	m ³ /h	0-5	0-9
Screened refuse	m ³ /h	0-6	0-10
Composting material	m ³ /h	0-8	0-20
Alloy/tin cans	m ³ /h	0-2	0-5
Bio-waste	kg/h	0-1200	0-4500

N.B. The above table is to be used as a guide only.



One Company, Unlimited Solutions

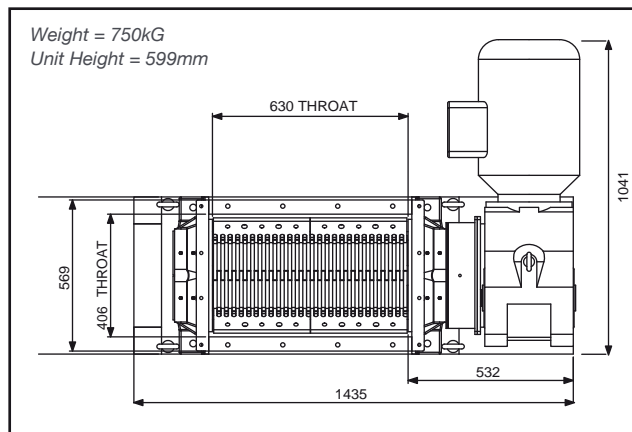
Applications

- Bulk Reduction - from alloy drink cans to paint tins, bulky waste can be efficiently reduced to shredded material with volume reductions of up to 70%.
- Risk Reduction - sensitive or confidential material is completely destroyed and safe from falling into the wrong hands.
- Ideally suited for bio-waste processing - by introducing organic waste to digesters, gas production is increased. Gas yield for combined heat and power is also increased and the need for costly disposal is eliminated.
- Material reclamation - items such as printed circuit boards can be passed through the Muncher, allowing shredded fragments to be easily processed for precious metal reclamation.
- Recycling - fish waste can be recycled to produce a liquified protein source - agricultural, forestry and municipal garden waste can be recycled to produce composts or organic fertilizers.

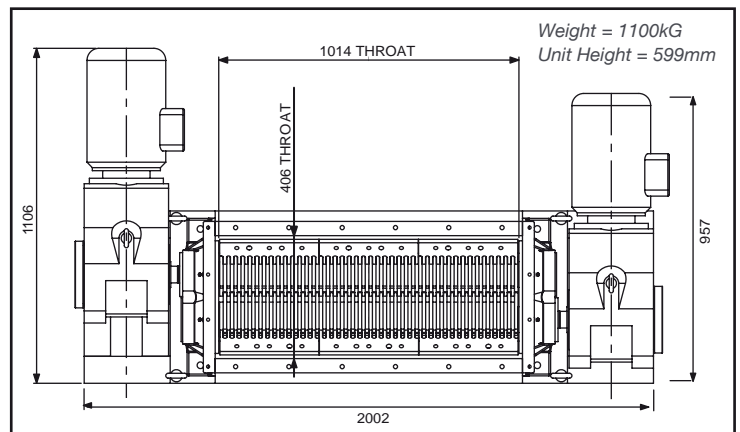


Dimensions

600mm Throat



1000mm Throat



Control Equipment

Each Muncher is supplied with a programmable logic controller (PLC). The PLC can be supplied individually for location into existing control equipment, on a chassis backplate complete with all hardware, or as part of a complete control panel. The Muncher PLC is designed to protect the machine against damage from rogue objects and overloading. The unit monitors both power and time, allowing the Muncher to process materials of varying strength and density, whilst avoiding unnecessary shutdowns or failure to respond to genuine overloading.



Published information other than that marked CERTIFIED does not extend any warranty or representation, expressed or implied, regarding these products. Any such warranties or other terms and conditions of sales and products shall be in accordance with Mono Pumps Ltd standard terms and conditions of sale, available on request.

© Mono Pumps Limited June 2009 Literature reference: SLMP/035/01/R4
Mono® and Muncher® are registered trademarks of Mono Pumps Ltd.
Registered in England No 300721



One Company, Unlimited Solutions