

MONO PUMPS

National Oilwell Varco

Borehole Lineshaft Pumps



- Long Life
- Simple Design
- Choose your drive

Mono[®]

Decades of proven Reliability under Pressure

The Mono Borehole pump is the essence of simplicity in design.

The simple positive displacement, Mono designed rotor and stator are immersed below draw-down level in the bore or well.

The motor and drive head are located at ground level for easy inspection, maintenance and installation.

Flows

From 10 to 836 lpm
(100 to 11,000 gph)

Heads

Up to 300m (985 ft)

Water Types

Suitable for all types of underground waters - whether sand or silt, brackish or corrosive.

Stainless steel

Stainless steel shafting and column is available for brackish applications.

Corrosive Water Pumps

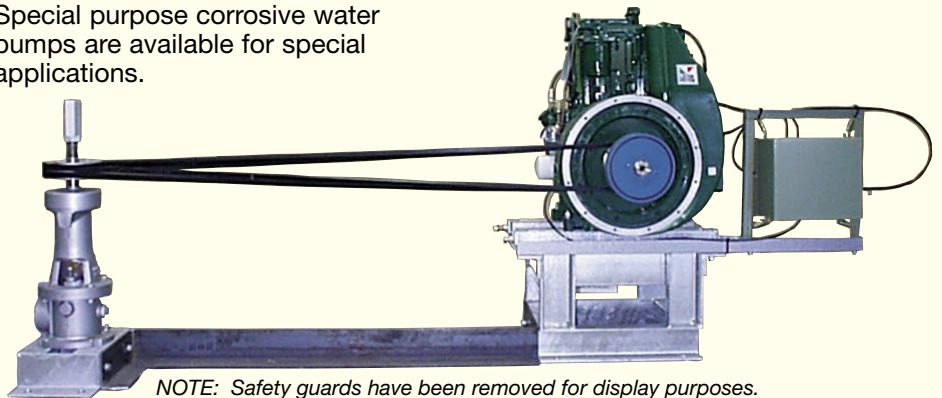
Special purpose corrosive water pumps are available for special applications.

Drive Heads

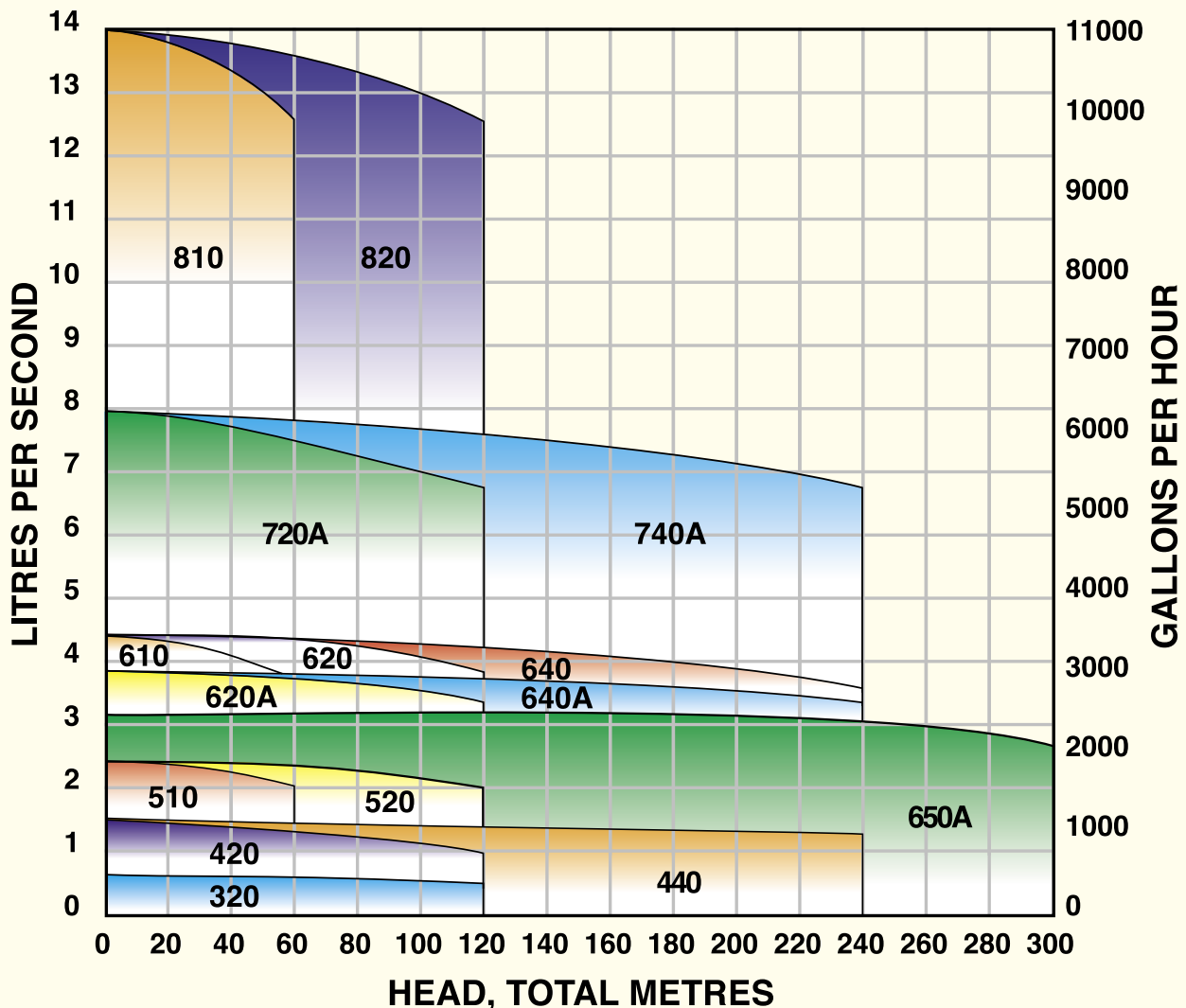
Available with a Quarter Twist drive head or where space is an issue, right angle drive head.

Power

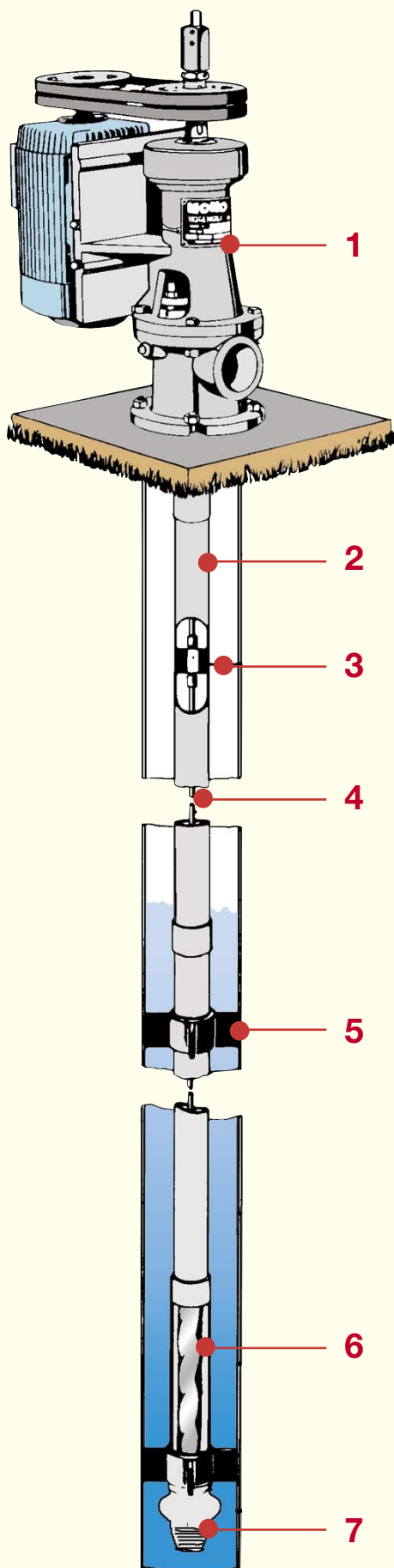
Can be driven by Petrol, Diesel, electric or PTO.



NOTE: Safety guards have been removed for display purposes. Mono Pumps supply and recommend safety guards be used on all vee belt drive arrangements.

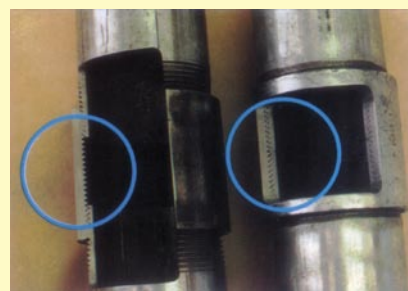


The Mono Borehole Pump. Simple and Strong.



- 1. Combined Discharge & Drive Head**
Discharge heads are compact, robust and weatherproof. All feature grease lubricated pre-packed or sealed bearings. Two designs are available. Vertical shaft models for electric or quarter twist diesel drive and right angle for PTO or compact side mount diesel.
- 2. Column**
Columns are available in 3 metre lengths manufactured from heavy duty galvanised pipe. Connection is by Mono's exclusive precision parallel threads producing a strong watertight joint.
- 3. Patented Bobbin or Spider Bearings**
Simple, efficient and above all, long wearing, even under abrasive conditions. Short bobbin bearing shafts made of stainless steel run in bobbins to totally eliminate wear on the main drive shaft.
- 4. Drive Shaft**
Drive shaft is supplied in equivalent lengths with rolled threads for maximum torque transmission. You have the option of carbon steel or stainless steel shafting depending on the quality of water.
- 5. Column Stabilizers**
A unique Mono development. Supplied to support the discharge column in relation to the bore casing, thus eliminating vibration and ensuring the discharge column is always accurately centered.
- 6. Rotor / Stator Pumping Element**
Perfected after many years of Mono worldwide development and research.
- 7. Strainer with Foot Valve**
Designed specifically to ensure efficient lubrication of the column to prevent leakage and loss of pipeline water with minimum restriction to the pump inlet.

Mono Heavy Duty Column



Mono Heavy

Mono Heavy Duty Column is thick enough for parallel threads. We carefully machine the ends for a face to face connection. When you screw these faces together, you keep water out and many more threads working for you.



Medium Wall

Ordinary column in medium weights pipe required taper threads. These may seal well when new, but vibration can cause water and corrosion to enter. If these few turns of thread give way, what happens to your pump?

Mono Pumps Around the World



Americas

Monoflo Incorporated

16503 Park Row
Houston
Texas 77084
U.S.A.
Tel: +1 281 599 4700
Fax: +1 281 599 4733
Email: inquire@monoflo.com
www.monoflo.com



For total peace of mind ask about our scheduled maintenance contracts to suit your individual needs. We offer a complete package for all our product ranges including installation and commissioning if required.

Authorised Distributor:

Europe

Mono Pumps Limited

Martin Street
Audenshaw
Manchester M34 5JA
England
Tel: +44 (0) 161 339 9000
Fax: +44 (0) 161 344 0727
Email: info@mono-pumps.com
www.mono-pumps.com

Published information other than that marked CERTIFIED does not extend any warranty or representation, expressed or implied, regarding these products. Any such warranties or other terms and conditions of sales and products shall be in accordance with Mono Pumps (Australia) Pty Ltd standard terms and conditions of sales, available on request.

Please contact the nearest Mono Office for details of your local authorised distributor.

Australia & New Zealand Branches:

	Telephone	Facsimile
Sydney	02 9521 5611	02 9542 3649
Brisbane	07 3350 4582	07 3350 3750
Adelaide	08 8447 8333	08 8447 8373
Perth	08 9479 0444	08 9479 0400
Darwin	08 8931 3300	08 8931 3200
Launceston	03 6340 2504	03 6340 2359
Kalgoorlie	08 9022 4880	08 9022 3660
Dunedin NZ	+64 3476 7264	+64 3476 2154

Australasia

Mono Pumps (Australia) Pty Ltd

338-348 Lower Dandenong Road
Mordialloc Victoria 3195
Australia
Tel: +61 (0) 3 9580 5211
Fax: +61 (0) 3 9580 6659
Email: ozsales@mono-pumps.com
www.mono-pumps.com

Mono Pumps (New Zealand) Ltd

PO Box 71-021
35 - 41 Fremlin Place
Avondale Auckland 7
New Zealand
Tel: +64 (0) 9 829 0333
Fax: +64 (0) 9 828 6480
Email: info@mono-pumps.co.nz
www.mono-pumps.com

National Oilwell Varco

Rm 2303 Capital Mansion
No. 6 Xin Yuan Nan Road
Chaoyang District
Beijing 100004
P.R. China
Tel: +86 (0) 10 6461 1115
Fax: +86 (0) 10 8486 8481
Email: alan.chen@natoil.com
www.mono-pumps.com

©Mono Pumps (Australia) Pty Ltd - Aug. 2005
Mono® is a registered trademark of Mono Pumps Limited.

Mono Pumps (Australia) Pty Ltd

ABN 77004449478
Telephone: +61 (0) 3 9580 5211
Facsimile: +61 (0) 3 9580 6659
E-mail: rural@mono-pumps.com
Website: www.mono-pumps.com



Mono®
ART51/2
National Oilwell Varco