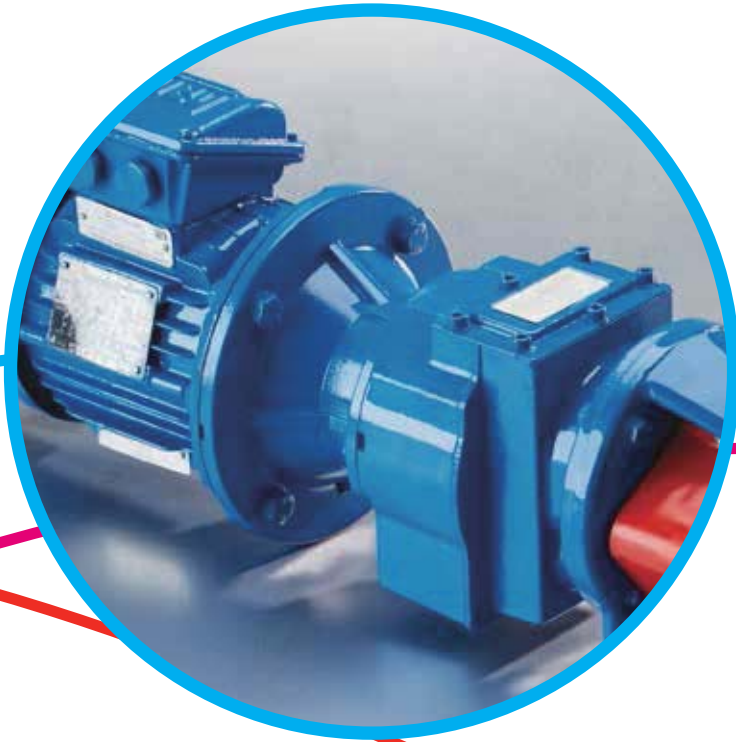


Mono™

Dosing Pump 加药泵



NOV Mono

One Company, Unlimited Solutions



专门用于低流量计量或加药工艺 -
可以连续精准的输送介质

“Designed for low flow,
metering or dosing
applications - offering
continuous and accurate
repeatability.”



特性 & 优点 / Features & Benefits

流量 / Capacity	25 - 1250 l/h / 0.11 - 5.5 USGPM
压力 / Pressure	最大 72 bar / 1044 psi up to 72 bar / 1044 psi
温度 / Temperature	最高 120°C / 248°F (不锈钢材质) up to 120°C / 248°F (stainless steel models)

典型应用包括 / Typical applications include:

- 酸，碱性介质
- 排泥工艺
- 食品原料
- 酒类原料
- 化工输送
- 选矿厂
- 染料，油墨
- 絮凝剂
- 化妆品
- 油化工
- Acids, alkalis
- Sludge dewatering
- Food ingredients
- Brewing, winemaking
- Chemical processing
- Process mining
- Dyes, inks
- Flocculants
- Cosmetics
- Oil well dosing

特殊结构材质

除泵体，连杆和吸入腔外的所有部件均为不锈钢材质。吸入腔采用高密度聚乙烯制造。

Materials of construction

All pump components, except the body, coupling rod and suction chamber are supplied in stainless steel. The suction chamber is manufactured in high density polyethylene.

端盖及机封仓为PVDF材质。当遇到特殊化工工况时，泵内部件可以选用哈氏合金。

The end cover and mechanical seal housing is in PVDF. For severe chemical environments, internal pump components are supplied in Hastelloy.

弹性定子

使用灵活且耐磨，可根据不同的输送介质选择多种不同材质。

Resilient Stator

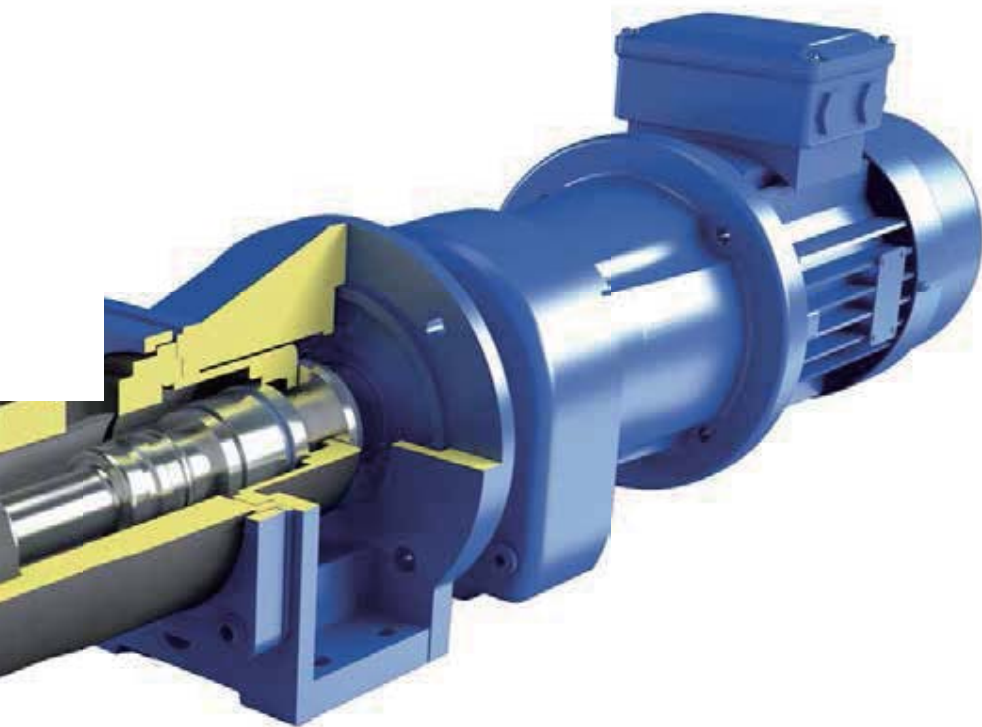
Flexible in operation and high resistance to wear. Available in a variety of materials, allowing a wide range of products to be pumped.

耐用的驱动

专门选择的驱动及减速机寿命更长。驱动可以选择固定转速或者变转速(手动调速或变频调速)。

Robust drives

Specially selected drives and gearboxes for longer life. Options include fixed or variable speed drives with mechanical variable speed or frequency inverter.



流量计

可选配流量计以监视泵的流量或温度，最高压力72bar。

Flow meter

Available as an option for flow or temperature monitoring, up to 72 bar.

平稳的输送模式

对介质的剪切力和挤压破坏力极小，也不会形成脉冲或乳化作用。

Gentle pumping action

Minimises shear and crush damage to the pumped product. No pulsation or emulsification.

可替换的部件

一部分加药泵的零件可与小型C系列泵互相替换，降低库存需求。

Interchangeable components

A number of Dosing pump parts are interchangeable with the small Compact C Range, reducing inventory holding.

全封闭式万向节

全封闭式的传动部件可以最大化使用寿命，最小化停机时间。

Sealed joints

Fully sealed drive train to maximise life and minimise downtime.

新的连杆设计

新的Mono连杆设计可满足高达72bar的压力需求。

Coupling Rod Design

New Mono design offers higher pressure capabilities, up to 72 bar.

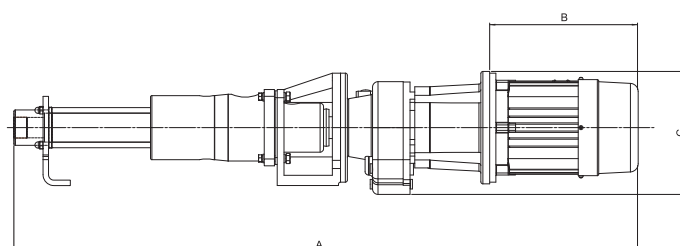
可进行液气混输

泵中不会产生气阻。定转子之间的过盈配合形成的可靠密封使得泵可以轻松地进行固液气三相混输。

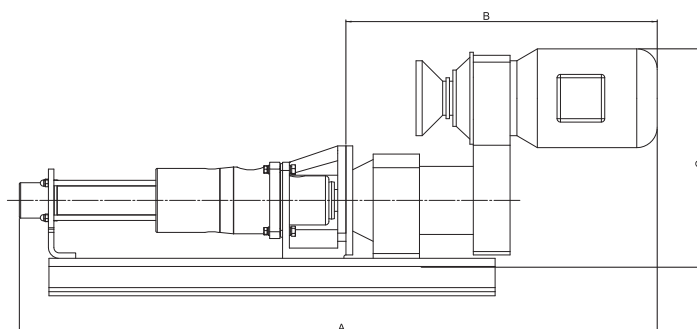
Handles gas entrainment

No air or gas locking in the pump. The positive seal formed by the interference fit between rotor and stator enables the pump to self prime and it also allows tri-phase liquids i.e. solids, gases and liquids to be handled easily.

产品尺寸 / Product Dimensions



减速电机 / GEARED MOTOR



手动调速电机 / VARIABLE SPEED

电机类型 DRIVE VARIATION	泵型 PUMP MODEL	功率 POWER		REF	A		B		C	
		kW	HP		MM	INCHES	MM	INCHES	MM	INCHES
减速电机 GEARED MOTOR	LXB	0.37	0.50	DA	803	31.6	323	12.7	168	6.6
	LWD									
	LXH	0.55	0.74	DA	940	37.0	340	13.4	178	7.0
	LTM									
	LXH	0.37	0.50	DB	863	33.9	323	12.7	168	6.6
	LTM									
	LXH	0.55	0.74	DY	932	36.7	332	13.1	225	8.8
					957	37.7	357	14.1	225	8.8
		1.1	1.47	DY	998	39.3	398	15.7	225	8.8
					998	39.3	398	15.7	225	8.8
LTM	0.37	0.50	DZ	932	36.7	332	13.1	225	8.8	
				998	39.3	398	15.7	225	8.8	
手动调速电机 VARIABLE SPEED	LXB	0.37	0.50	EA/EC	937	36.8	457	17.9	306	12.0
	LWD				1027	40.4	487	19.1	340	13.4
	LXH				937	36.9	457	17.9	306	12.0
	LTM				1027	40.4	487	19.1	340	13.4
	LXB	0.55	0.74	EB/ED	937	36.9	457	17.9	306	12.0
	LWD				1027	40.4	487	19.1	340	13.4
	LXH				937	36.9	457	17.9	306	12.0
	LTM				1027	40.4	487	19.1	340	13.4

泵型 MODEL	泵重 PUMP WEIGHT Kg (lb)
	带电机 MOTORISED
LTM	15 Kg (33 lb)
LVH	
LWD	
LXB	

Weights are for guidance only. Please contact Mono for further assistance.

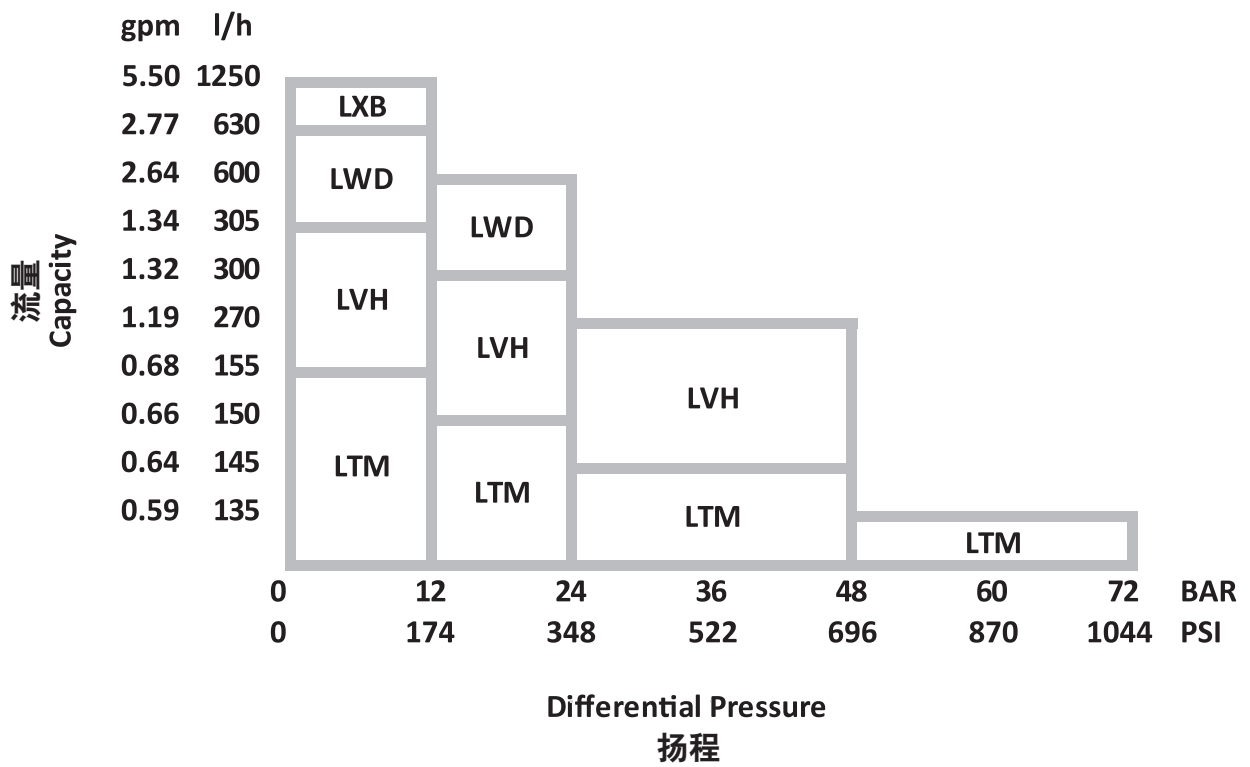
所有尺寸均为参考。

如需完整授权图纸或泵的选型咨询，请联系Mono

All dimensions are a guidance only.

For full certified drawings or assistance in selecting a pump, please contact Mono.

性能参数 / Performance Data



如需选型指导，请联系Mono
For guidance in selecting a pump, please contact Mono.

Europe 欧洲

Mono Pumps Ltd, Martin Street, Audenshaw
Manchester, M34 5JA, England
T. +44 (0)161 339 9000
E. info-mono@nov.com

NOV Mono, 2 Venture Road
University of Southampton Science Park
Chilworth, Southampton
Hampshire, SO16 7NP, England
T. +44 (0)23 8076 0000
E. Mono-oilandgas@nov.com

NOV Mono, 56, rue du Pont
88300 Rebeuville, France
T. +33 (0)3 29 94 26 88
E. monofrance@nov.com

Asia 亚洲

国民油井华高石油设备(上海)有限公司(北京代表处)
北京市东城区东直门南大街1号
北京来福士中心办公楼18层
邮编: 100007
电话: +86 (0) 10 5707 0900
传真: +86 (0) 10 5977 6100

国民油井华高石油设备(上海)有限公司
上海市嘉定区马陆镇马东工业园区
博学南路1015弄4号5号厂房
邮编: 201801
电话: +86 (0) 21 3990 4588
传真: +86 (0) 21 3990 4535
邮件: E.monoshanghai@nov.com

Australasia 澳洲

Mono Pumps (Australia) Pty Ltd
75 Frankston Gardens Drive
Carrum Downs, Victoria 3201, Australia
T. 1800 333 138
E. ozsales@nov.com

Mono Pumps (New Zealand) Ltd
35-41 Fremlin Place, Avondale
Auckland 1026, New Zealand
T. +64 (0)9 829 0333
E. info@mono-pumps.co.nz

Africa 非洲

NOV, No. 10 Dipka Road
Kaymore Industrial Area
Stikland, Bellville 7530
Cape Town, South Africa
T. +27 (0)21 941 2900
E. pumpsalesafrica@nov.com

Americas 美洲

Moyno, 8708 W. Little York Rd, Suite 100
Houston, Texas 77040, USA
T. +1 281 854 0300
E. moyno@nov.com

Moyno, 1895 W. Jefferson Street
Springfield, Ohio, 45506, USA
T. +1 877 486 6966
E. moyno@nov.com

www.mono-pumps.com



Published information other than that marked CERTIFIED does not extend any warranty or representation, expressed or implied, regarding these products. Any such warranties or other terms and conditions of sales and products shall be in accordance with Mono Pumps Limited standard terms and conditions of sale, available on request.

© 2014 Mono Pumps Limited. All Rights Reserved.
Literature reference: MSSL/051/01

Mono™ is a registered trademark of Mono Pumps Ltd.
Registered in England No 300721



One Company, Unlimited Solutions