

Tri-Hammer Macerators



Mono[®] **NOV**

One Company, Unlimited Solutions



Construction

Derived from a pedigree of over 11,000 installations worldwide our Macerator range incorporates a number of design advances over older machines that give improvements in both maintenance and energy costs.

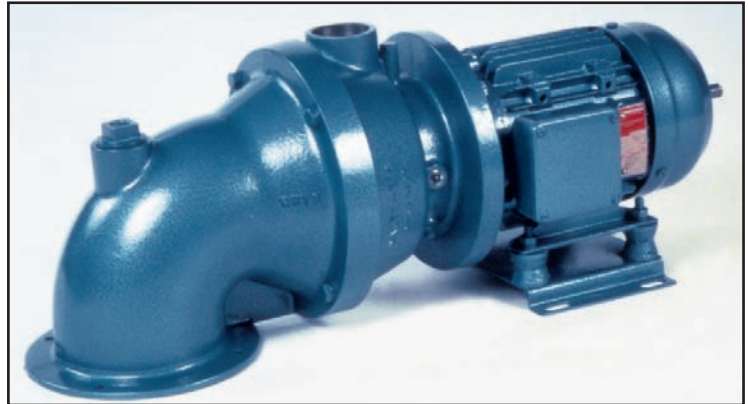
2 Model Range M12 and M18

Flow on Raw Sewage: M12 up to 5m³/h
M18 up to 15m³/h

(N.B. For higher flows please refer to our Muncher® range of grinders).

Both models available with straight in or 90° inlet chambers.

Horizontal Macerator



M18 Macerators, part of a Mutrator system installed to macerate settled sludge and storm tank effluent.

Use of high strength Chrome Molybdenum alloy steel allows impeller to be of slimmer 'dished' profile - less resistance to water flow and better flow path for solids - lower energy consumption.

One nut fixing for impeller - easier than fiddling around with Allen keys and socket head screws.

1. Mechanical Seal

Entire seal assembly is oil lubricated and mounted out of contact with liquid being processed. Substantial increase in seal life expectancy.

Easier to exchange impeller as seal is not part of impeller hub - seal not disturbed when changing impeller.

2. Tri-Hammer Impeller

A 3 hammer impeller replaces the old 2 hammer impeller

- Better balance

- More 'blows' per revolution (more efficient grinding/maceration).

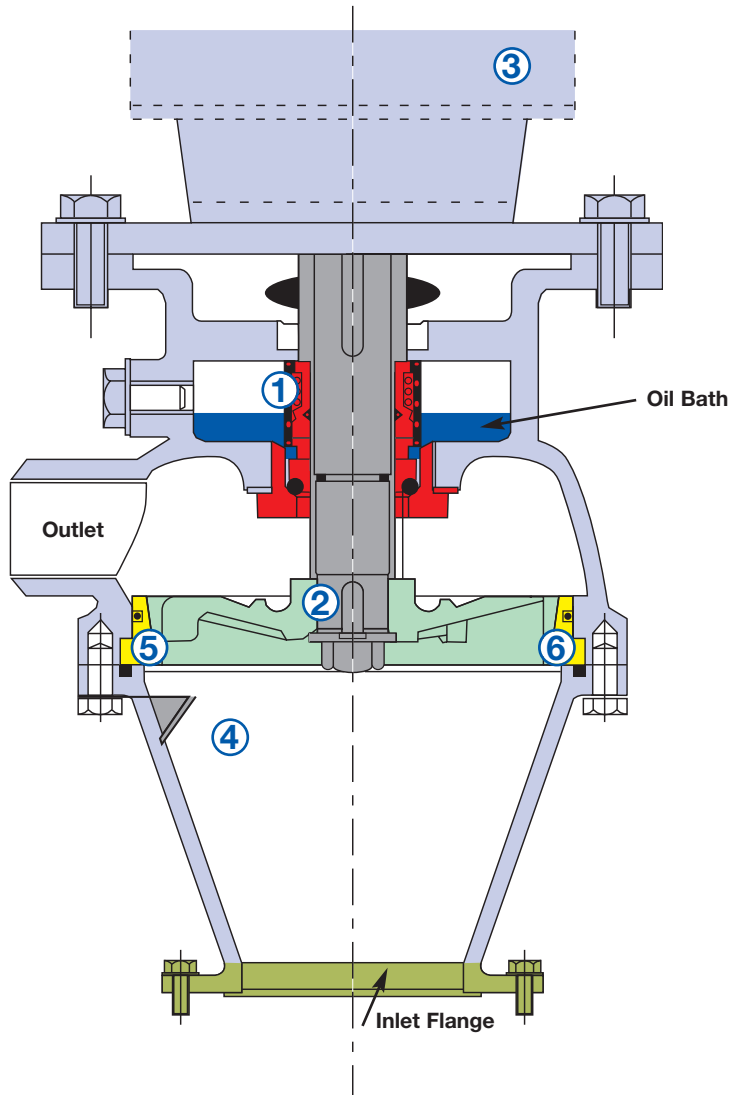


Tri-Hammer Impeller



3. Standard IP55 Motor

Single or 3 phase



4. Anti-Swirl Fins

Inlet chamber contains 2 large anti-swirl fins to stop 'spinning' of textiles and to direct solids in suspension into optimum flow path for maceration through impeller.

5. Cutter Ring

Investment cast in Chromium Iron optimum combination of both hardness and resilience - positively clamped in position by inlet chamber. Hardened and internally ground for maximum cutting efficiency.

Body and Inlet Chamber

Cast in corrosion resistant Grade 220/260. Cast iron BS 1452 (1977).

Outlet screwed BSP (female) for direct connection to discharge pipework.

Units can operate in vertical or horizontal mounting position.

90° inlets normally fitted when macerator mounted horizontally e.g. in 'Grifter' or 'Compact Mutrator' layout and have rodding eye for suction pipe clearance duties.



M180 mm Vertical Macerator installed as part of a pumping system to handle sewage from a primary school.

Retrofitting to Existing Mono[®] Mutrators

A special adaptor ring is available to enable easy retrofitting of the M18 unit to all existing group 2 (7") and group 3 (8") Macerators. The ring simply fits onto the existing inlet canopy without the need to disturb the baseplate or suction pipe.



The new Tri-Hammer Macerators offer both an improvement in energy consumption and lower spares prices. The following table shows comparative power consumption of the new models against our earlier units.

Power Consumption Tests

New M18 design in comparison with:
 1. Existing Group 2 macerator
 2. Existing Group 3 macerator

Tests conducted in test plant during February 1990.

| Power Consumed @ | 10m ³ /h | 16m ³ /h |
|--|---------------------|---------------------|
| Group 2 180mm macerator/3kW motor | 4.0 amps | 4.0 amps |
| Group 3 200mm macerator/5.5kW motor | 9.5 amps | 9.5 amps |
| New M18/2.2kW motor | 3.0 amps | 3.0 amps |

(Tests conducted on water @ approx 15°C)

| | Old Types | New Types |
|-----------------|---|---|
| Grifter | 125mm macerator for CP25 and CP800 Grifters | New M12 macerator used with CP25 and CP800 Grifter pumps |
| | 150mm macerator for CP1600 Grifter (light duty) | CP1600 Grifter discontinued |
| Mutrator | 150mm macerator (group 1) | New M18 macerator |
| | 180mm macerator (group 2) | |
| | 200mm macerator (group 3) | New M18 macerator or SB Muncher |
| | 250mm macerator (group 4) | SB Muncher [®] (Please refer to separate leaflet) |
| | 300mm macerator (group 5) | |

Physical Connectors

2 Model Range M12 and M18

Cutter/Impeller diameters: 125mm/180mm

Flow on Raw Sewage: M12 up to 5m³/h
M18 up to 15m³/h with pump assistance i.e. Murrator/Grifter type installation.

M12 Inlet: 80mm Flanged with NP6 drillings.
Straight in or 90° bend.

M18 Inlet: 100mm or 150mm Flanged NP16 drilling.
Straight in.
125mm Flanged NP16 drilling. 90° bend.

Outlet: 1½" BSP female.

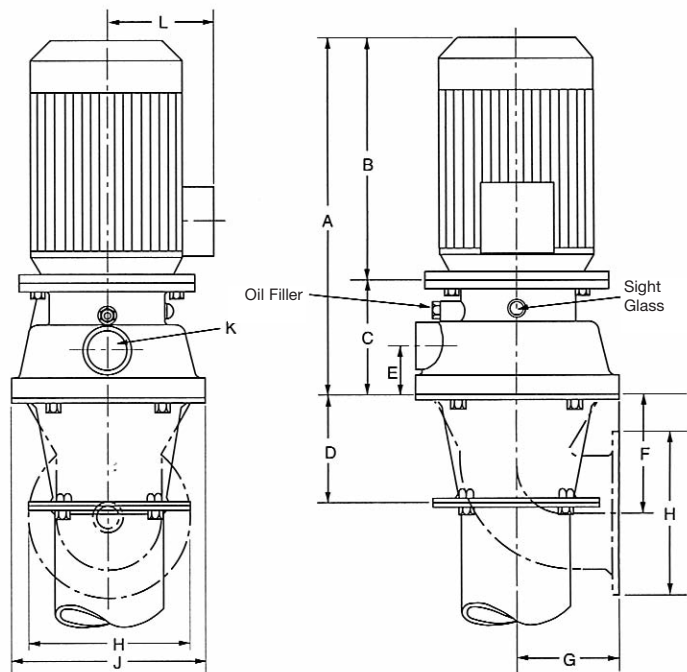
Outlet: 2" BSP female.

Range Selector

Mono Macerator
G.A. Drawings
and Dimensions

Units can be mounted vertically or horizontally.

Dimensions shown are for guidance and planning purposes only. Please obtain certified drawings before proceeding with detail design work.



| Model | Motor | Frame | *A | B | C | D | E | F | G | H | | J | K | L | |
|-------|--------|---------|-------|-----|-------|-----|------|-----|-----|-------|---------|-------|---------|-----|----|
| M18 | 2.2kW | D100 LA | 473.5 | 311 | 162.5 | 150 | 70.5 | 170 | 140 | } 220 | 100 n/b | } 275 | 2" | 151 | |
| | 3.0kW | D100 LB | 473.5 | 311 | 162.5 | 150 | 70.5 | 170 | 140 | | 250 | | 125 n/b | | 2" |
| | 4.0kW | D100 LK | 473.5 | 311 | 162.5 | 150 | 70.5 | 170 | 140 | | 280 | | 150 n/b | | 2" |
| M12 | 0.55kW | D90S | 398 | 264 | 134 | 100 | 45 | 150 | 90 | 190 | 80 n/b | 200 | 1.5" | 140 | |
| | 0.75kW | D90L | 423 | 289 | 134 | 100 | 45 | 150 | 90 | 190 | 80 n/b | 200 | 1.5" | 140 | |

All dimensions in mm unless otherwise stated

NOTES: *For M18X Unit, Dimensions A, C and E add 20mm
*For M18Y Unit, Dimensions A, C and E add 30mm

A 5.5kW motor is available for the M18 for special duties on application to Mono Pumps

Europe

Mono Pumps Ltd, Martin Street, Audenshaw
Manchester, M34 5JA, England
T. +44 (0)161 339 9000
E. info@mono-pumps.com

D.M.I EST, 56, rue du Pont
88300 Rebeville, France
T. +33 (0)3 29 94 26 88
E. dmi-est@dmi-est.fr

Americas

Monoflo Inc., 10529 Fisher Road
Houston, Texas 77041, USA
T. +1 713 980 8400
E. inquire@monoflo.com

Monoflo S.A., Ing Huergo 2239
(1842) Monte Grande
Pcia. de Buenos Aires, Argentina
T. +54 11 4290 9940/50
E. info@monoflo.com.ar

Australasia

Mono Pumps (Australia) Pty Ltd
Mono House, 338-348 Lower Dandenong Road
Mordialloc, Victoria 3195, Australia
T. 1800 333 138
E. ozsales@mono-pumps.com

Mono Pumps (New Zealand) Ltd
PO Box 71-021, Fremelin Place, Avondale
Auckland 7, New Zealand
T. +64 (0)9 829 0333
E. info@mono-pumps.co.nz

Asia

Mono Pumps Ltd, No. 500 YaGang Road
Lujia Village, Malu, Jiading District
Shanghai 201801, P.R. China
T. +86 (0)21 5915 7168
E. monoshanghai@nov.com

www.mono-pumps.com



Published information other than that marked CERTIFIED does not extend any warranty or representation, expressed or implied, regarding these products. Any such warranties or other terms and conditions of sales and products shall be in accordance with Mono Pumps Limited standard terms and conditions of sale, available on request.

© Mono Pumps Limited August 2008 Literature reference: SLWP/007/01/R6
Mono® and Muncher® are registered trademarks of Mono Pumps Ltd.
Registered in England No 300721